



2-Way Control Valves type L1SB

Applications

Control valves type L1SB are designed for regulation of hot water, steam and lubricating oils.

The valves are installed combined with our self-acting thermostats, pressure differential regulators or valve motors for regulation in central heating plants, industrial plants, industrial processes or marine installations.

Function

Without the actuator being connected, the valve is held in open position by means of a spring. With pressure on the spindle the valve will close.

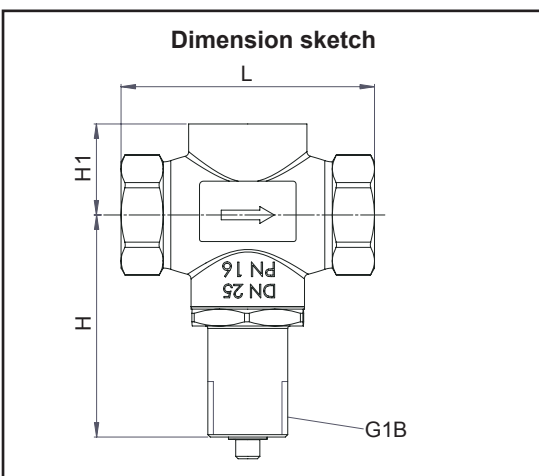
In connection with our thermostats the valves will close at rising temperatures. In connection with our valve motors the valves will either close or open depending on the application.

The quadratic characteristic will not cease, until the flow has dropped below 4 % of the full flow.

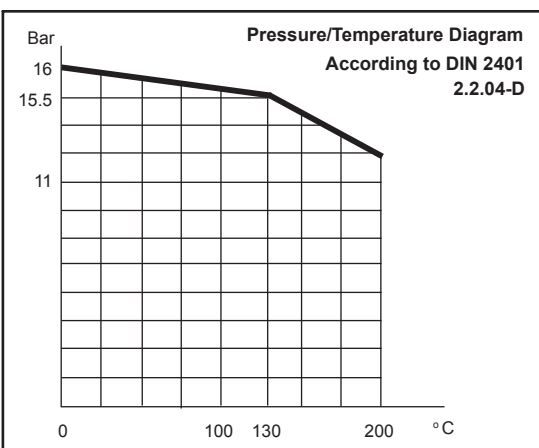
Design

The valve components - spindle, seats and cone - are made of stainless steel. The valve body is made of gun metal RG 5.

The thread for the actuator connection is G1B ISO 228. The valve is single seated, balanced. The leakage rate is less than 0.05% of the full flow (according to VDI/VDE 2174)



Type	L mm	H mm	H1 mm
25L1SB	105	80	53



Technical Data Material

No.	Description	Materials
1	Valve Body	Gun metal RG 5
2	Component	Stainless steel
3	Norminal Pressure	PN 16
4	Seating	Single seated
5	Valve Characteristic	Quadratic
6	Leakage	≤ 0.05% of k_{vs}

Specifications

Type	Connection threads	DN mm	Opening mm	k_{vs} - value m^3/h	Lifting height mm	Weight kg
25L1SB	Rp 1	25	25	7.5	7	1.6

*last updated 03/16

