



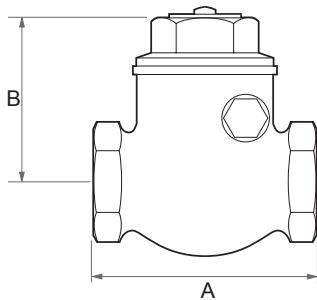
Pegler Yorkshire

CHECK VALVE

TYPE 1060A



Bronze threaded swing check valve
BS 5154 PN25 series B, metal disk.



Material Specification

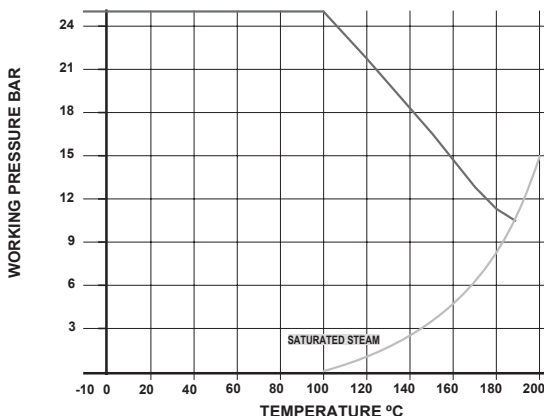
Component	Material
Body	Gunmetal
Cap	Forged brass (1/4" to 2") Gunmetal (2 1/4" to 4")
Valve	Gunmetal
Swinger	Brass bar (1/4" to 1") Gunmetal (1 1/4" to 4")
Swinger Pin	Brass bar
Swinger Pin Cap	Brass Bar (2 1/2" to 4")
Nut	Brass Bar
Rating Disc	Tinned Iron Sheet

Pressure Equipment Directive Category

Sizes

1/2"	3/4"	1"	1 1/4"	1 1/2"	2"	2 1/2"	3"	4"
SEP	SEP	SEP	SEP	SEP	SEP	SEP	SEP	SEP

Pressure & Temperature Ratings



Sizes

Taper / Parallel thread / American (NPT) taper

Range	1/2"	3/4"	1"	1 1/4"	1 1/2"	2"	2 1/2"	3"	4"
IS07-1RC (Taper)	122007	122008	122009	122010	122011	122012	122013	122014	122015
IS07-1RP (PT)	122047	122048	122049	122050	122051	122052			
ANSI NPT (AT) (Taper)	122027	122028	122029	122030	122031	122032	122033	122034	

Dimensions (mm)

Range	1/2"	3/4"	1"	1 1/4"	1 1/2"	2"	2 1/2"	3"	4"
A	62	76	83	94	105	125	148	175	222
B Lever	45	55	60	65	75	90	110	125	130
Weight kg	0.38	0.58	0.86	1.26	1.66	2.66	3.52	4.48	8.38

Flow Rates* m³/h

Size	Flow l/s	Kv m3/h	Cv - US GPM	Size	Flow l/s	Kv m3/h	Cv - US GPM
1/2"	0.04	1.80	2.10	1 1/2"	0.40	30.30	34.80
	0.10	3.70	4.30		0.60	40.20	46.20
	0.20	5.10	5.90		0.80	48.50	55.70
	0.40	5.70	6.50		3.00	54.40	62.50
3/4"	0.04	2.70	3.10	2"	0.60	42.00	48.30
	0.10	5.50	6.30		0.80	54.00	62.00
	0.40	13.60	15.60		1.50	86.20	99.00
1"	1.00	15.30	17.60	2 1/2"	4.00	98.00	112.60
	0.01	7.70	8.80		1.50	97.60	-
	0.20	13.90	16.00		3.00	135.30	-
1 1/4"	0.30	18.40	21.10	3"	4.00	156.00	-
	0.20	15.00	17.2		2.00	144.60	-
	0.30	20.60	23.7		3.00	168.40	-
0.40	25.30	29.1	5.00	229.00	-		
	1.00	32.60		37.5			

*Cv - flow rate in US GPM at a pressure drop of 1 psi.

*Kv - flow rate in m3 per hour at a pressure drop of 1 bar.

Valve Suitability

Steam	Water	Oil	Air	Gas Inert	Gas Combustible	Gas Corrosive	Gas Oxygen
✓	✓	✓	✗	✗	✗	✗	✗

Maximum Pressure Conditions

Size	Maximum Pressure Conditions (bar)		Test Pressures (bar)	
	Temp. up to 100°C	Temp. up to 186°C	Shell	Seat
1/4" to 2"	25.0	10.5	37.5	27.5
Size	Maximum Pressure Conditions (psi)		Test Pressures (psi)	
	Temp. up to 212°F	Temp. up to 367°F	Shell	Seat
1/2" to 2"	362.6	152.3	543.9	398.9
2 1/2" to 4"	16	10	24	17.5
	Temp. up to 212°F	Temp. up to 367°F	Shell	Seat
2 1/2" to 4"	232.1	145.0	348.1	253.8

*last updated 03/16



ALPHA GROUP
Steam & Fluid Control Solution

139 Soi Nuanchan 34, Nuanchan Road, Nuanchan, Buengkum, Bangkok 10230
Tel : 02 792 9333 Fax : 02 946 1755-6 Email : sales@alphagroup.co.th www.alphagroup.co.th